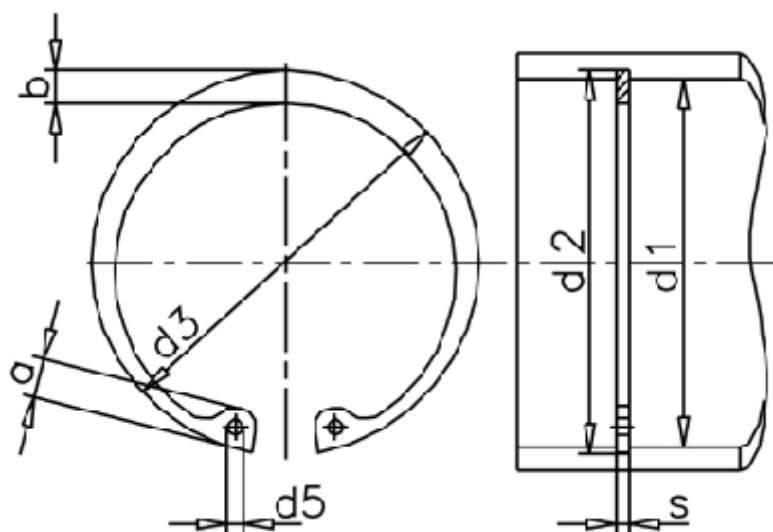


Article number: 0110052

Description: Retaining ring JS 35x1,75  
Springsteel

## Measures



a max	= 6.0	Description	= JS 35	t	= 1.00
AN mm <sup>2</sup>	= 113	FN kN	= 18.8	tol	= 0.25
B	= 1.36	FRg kN	= 8.7	tol	= +0,50 -0,25
b	= 3.8	FR kN	= 36.6	tol	= -0.06
d1	= 35	g	= 1.5	Tong	= ZGJ-3
d2	= 37.0	m min	= 1.85	Weight kg/1000	= 4.5
d3	= 37.8	Nominal drive	= 3.0		
d5 min	= 2.5	s	= 1.75		